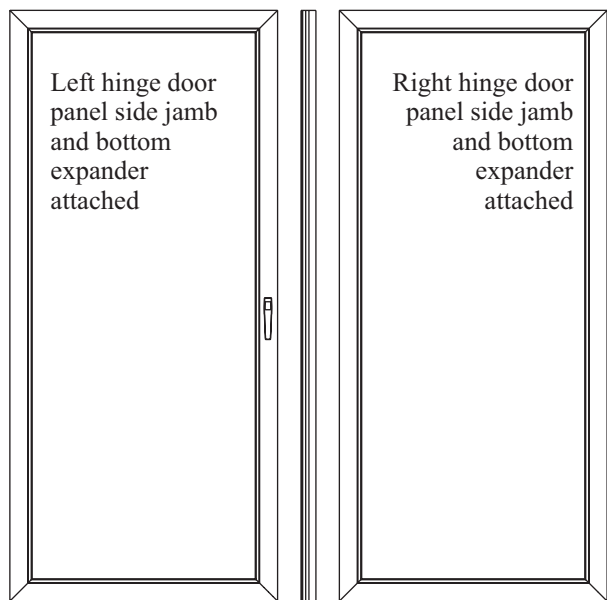
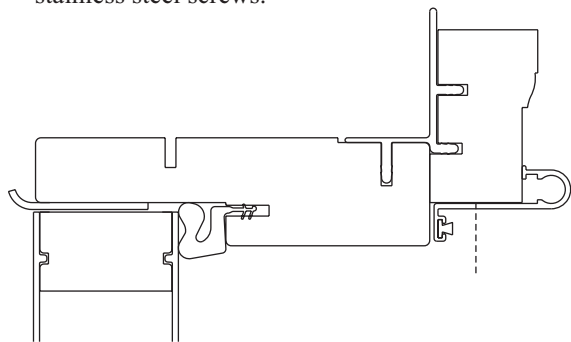


Double Door Hinged Screen Materials Supplied

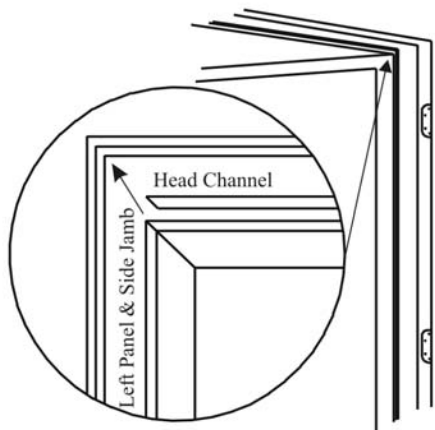


- Head Channel
- Door Handle Package
- Spring Latch (2)
- 20 - 1" Stainless Steel Screws
- 4 - 3/4" Stainless Steel Screws
- Closer Kit

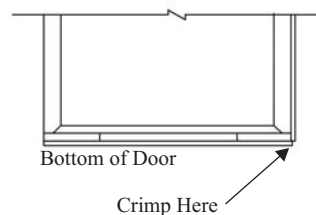
1 Place head channel at the top of the door opening on the exterior side, centering it between the right and left side jambs. Using a 1/8" drill bit, pre-drill a hole in the head brickmould using the pre-punched holes in the aluminum channel as a guide. Fasten head channel to head brickmould using #8 x 1" stainless steel screws.



2 Position the right or left door panel into the frame. Be sure the side hinged channel aligns properly with the head jamb miter. Using a 1/8" drill bit, pre-drill a hole into the side brickmould using the pre-punched hole in the aluminum channel as a guide. Fasten side jamb channel to side brickmould using #8 x 1" stainless steel screws and check for proper alignment. Repeat for remaining door panel.



3 Trim the black rubber door sweep even with the adjustable bottom expander. Crimp the ends of the slot with pliers to prevent the sweep from sliding out.



4 Install the handle hardware on the active door.

CAUTION: BE SURE TO POSITION THE SCREEN DOOR HANDLE SO THAT IT DOES NOT INTERFERE WITH THE OPERATION OF THE HANDLE SET ON THE PRIMARY DOOR.

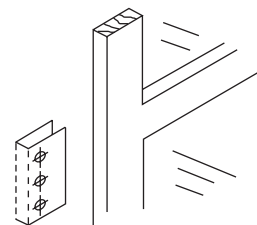
At desired height, fold self-adhesive template to door.

Mark center of the three holes on both sides

Using a 5/16" drill bit, bore the three holes 1/2 way through on both sides.

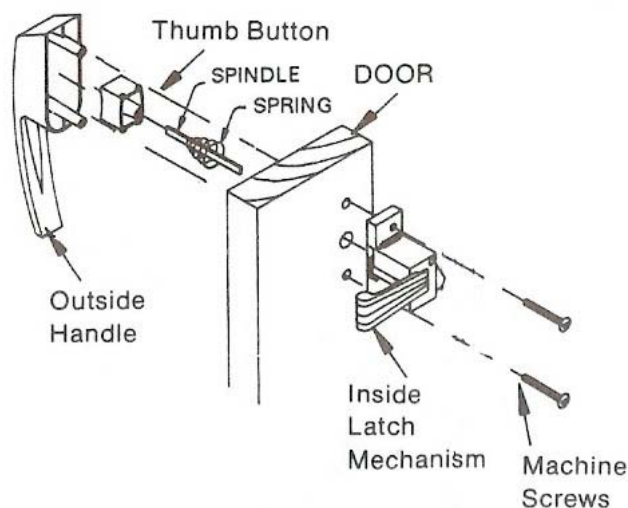
Note: Ream out center hole by inserting drill and rotating with a slight wobbling action to clear hole and allow complete freedom of action for spindle.

SPINDLE MUST BE FREE.



5 Assemble outside handle with button, spindle and spring. Push this assembly through installation holes from outside of door as shown.

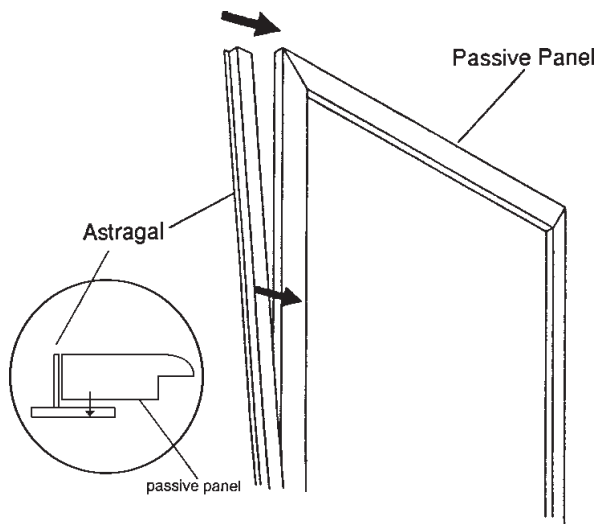
Depress button to extend spindle. Position latch mechanism over holes on inside of door, guiding spindle into rectangular slot in center of mechanism. Insert (2) machine screws into threaded sleeves and screw each down to snug position.



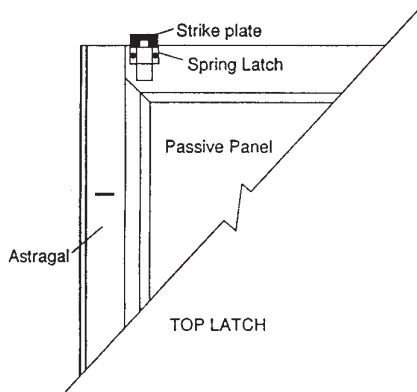
THERMATRU[®]
PATIO DOOR SYSTEMS

1687 Woodlands Dr. Maumee, OH 43537
1-800-THERMATRU (843-7628)
www.thermatru.com

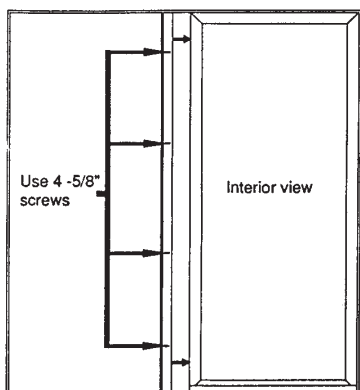
6 Place the astragal on the passive panel (See Inset) allowing an 1/8" gap. Top of astragal should be even with top of door. Fasten through the center of the slot. Close active panel and adjust astragal for even gap.



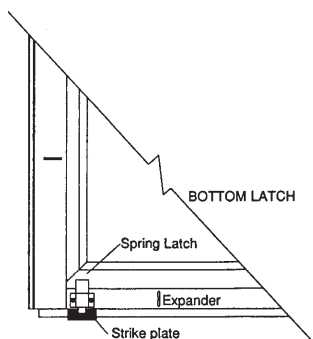
7 Install the spring latches to the passive door at the head using the spacer and screws provided. Base of the latch should be 1/4" down from the head channel.



8 Close both panels and recheck for proper clearance between astragal and active panel (1/8"). Check for proper latch engagement. Secure the astragal to the passive panel by pre-drilling 4 holes with a 1/8" drill bit and using 4-3/4" screws. Adjust the bottom expander to the desired position.



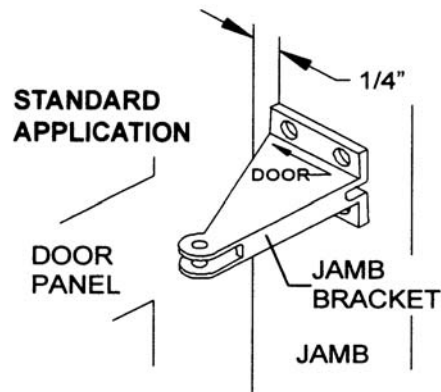
9 Position the remaining spring latch to expander and the strike plate (lip to the outside) to sill. Once proper location has been determined so that the door is aligned with frame, fasten with enclosed screws.



10 Check to make sure that the door closes freely.

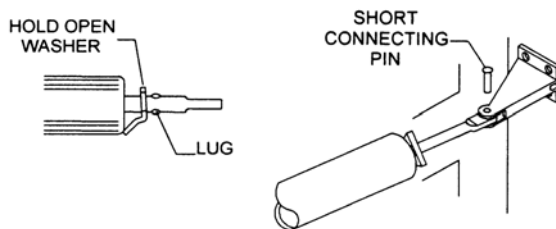
This closer will be installed on the top rail of the door. At desired height, drill 1/8" pilot holes and fasten jamb bracket to door frame with open side of bracket 1/4" from door as shown using 1" screws. If more latching force is desired, jamb bracket may be moved up to 1" away from door.

NOTE: Moving the jamb bracket further away from door reduces door opening.



11 Slide hold-open washer on rod. Using short connecting pin, connect closer to jamb bracket. Hold-open washer should be positioned over lugs against closer tube as shown.

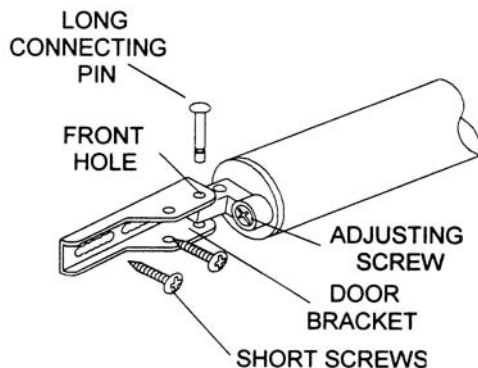
Note: This will give proper tension for installation. (Do not change until installation is completed.)



12 Attach door bracket to closer tube FRONT HOLE with long connecting pin. With door tightly closed, hold closer and door bracket against door in level position, mark and drill two 1/8" pilot holes.

Caution: Do not drill through door.

Fasten door bracket to door with two 5/8" screws. Open door and move hold-open washer in back of lugs on rod. Closer is now ready to operate. The closing speed may be regulated by turning the adjusting screw.



Controlled Latching Power Feature

Installed as directed, the closing speed of the door will accelerate in the last few inches of travel. If a smoother, quieter closing action is desired, hold door open about 8" with hold-open washer, remove long connecting pin from door bracket and relocate in closer REAR HOLE, if present. This position is normally used when the screen panel is in place.

