



Therma-Tru[®] Transom for Hinged Patio Doors

Unit Installation



1750 Indianwood Circle Maumee, OH 43537
1-800-THERMATRU (843-7628)
www.thermatru.com

Read all instructions before starting.

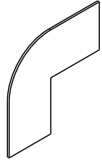
The applicable standards for these products are governed by
the International Residential Code.
Copies of performance ratings and testing are available on our website
www.thermatru.com and our product manual.

Part identification

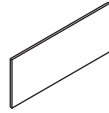
Not all parts shown will be included in package.
Parts will vary for type of unit purchased.



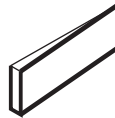
M.E.U. Connector
Fins



Flange Corner Pad



M.E.U. Flange Pad



Shim



#8 x 2" trim head screw



#8 x 2-3/4" trim head screw



#10 x 3/4" trim head screw

Tools/materials required

This is a listing of tools that may be required to assemble unit.

- Drill/screw gun
- Phillips head drive bit or screwdriver
- Sealant (Elastomeric or Polyurethane)
- Structural adhesive
- Caulk gun
- Utility knife
- Rubber mallet
- Hammer
- 3/32" & 1/8" drill bit
- Level
- Tape measure

FINISHING INSTRUCTIONS

Work only when temperatures are between 50° and 90°F and with humidity less than 85%. Do not finish in direct sunlight.

SMOOTH-STAR® UNITS

Painting Door Interior:

1. Clean first with mild detergent and water or use a TSP (tri-sodium phosphate) solution. Rinse well and allow to dry completely.
2. Mask glass and hardware.
3. Use high-quality acrylic latex house paint, following manufacturer's application instructions.
4. Paint edges and exposed ends of door.

Painting Frame Interior:

1. Clean first with a clean damp cloth. Allow to dry completely.
2. Mask hardware and weatherstripping. Weatherstripping may be removed from jambs by gently pulling out. Re-insert weatherstripping by pushing in after door is completely finished and dry.
3. Scuff frame using a Scotch-Brite pad or 180-grit sandpaper.
4. Paint using a high-quality acrylic latex house paint, following manufacturer's application instructions.

FIBER-CLASSIC® UNITS

Painting Door Interior:

1. Clean first with mild detergent and water or use a TSP (tri-sodium phosphate) solution. Rinse well and allow to dry completely.
2. Mask glass and hardware.
3. Prime with an alkyd- or acrylic-based primer. Allow primer to dry completely.
4. Paint with an oil-based or acrylic latex house paint, following manufacturer's application instructions. Use a primer and paint that are compatible.
5. Paint edges and exposed ends of door.

Painting Frame Interior: (see above for Smooth-Star units)

Staining Door Interior:

We only recommend the use of the stain and clear coat products found in the Therma-Tru Finishing System. (See the Therma-Tru Finishing System instructions for complete details.)

1. Clean first with a clean cloth and mineral spirits and allow to air dry OR wash door with a mild detergent and water, or a TSP (tri-sodium phosphate) solution. Rinse well and allow to dry completely.
2. Mask glass and hardware.
3. Apply stain with a cloth in a circular motion to one section at a time.
4. Wait 5-10 minutes before brushing, depending on the desire for a lighter or darker shade.
5. Brush with the natural bristle brush in the direction of the grain to "feather" or blend the stain to a rich wood look. *Clean brush tips frequently with a dry cloth to remove excess stain.* Stain and brush out each section completely before moving onto next section.
6. Allow a minimum of 48 hours drying time for the stain to cure before applying topcoat.

Staining Frame Interior:

1. Clean first with a clean damp cloth. Allow to dry completely.
2. Mask hardware and weatherstripping. Weatherstripping may be removed from jambs by gently pulling out. Re-insert weatherstripping by pushing in after door is completely finished and dry.
3. Prime, using Kilz2 latex primer color matched to a skin sample from the *Therma-Tru Finishing System*, following manufacturer's application instructions.
4. Apply stain from the *Therma-Tru Finishing System*.

Warning: Modification or machining of this product can release wood dust, a substance known to the State of California to cause cancer.

14 WEATHERPROOF, FINISH AND MAINTAIN

- Add insulation to air space between opening and unit.
- Seal around entire perimeter of unit on “weather” side; seal brickmould to siding or facing, seal front bottom edge of sill, seal all joints between jamb and mouldings.
- Use included patch stick to fill over trim head screws and finish nails.
- For larger holes, use *Minwax Wood Filler* or *Elmer’s Fill-n-Finish*.
- Seal joints between exterior hardware trim and door face to prevent air and water infiltration.
- Provide and maintain a properly installed cap flashing to protect top surfaces from water damage.
- Paint or stain according to Therma-Tru instructions. Do not paint gaskets or weatherstrip. Weatherstrip may be removed for easier painting or staining.
- Swing-out doors must have all edges - sides, top, and bottom - finished. Inspect and maintain these edges as regularly as all other surfaces.
- Maintain or replace sealants and finishes as soon as any deterioration is evident. For semi-gloss or glossy paints or clear coats, do this when surface becomes dull or rough. More severe exposures require more frequent maintenance.
- All Therma-Tru doors must be finished and maintained in accordance with our recommendations. Failure to do so may affect the applicable warranty.

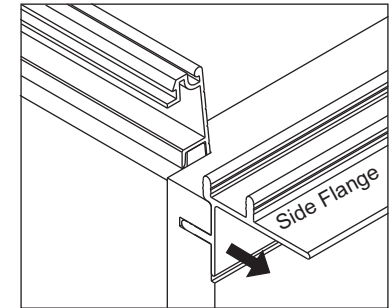
1 REMOVE PACKAGING



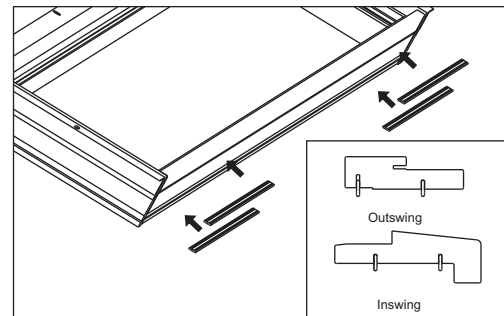
Remove packaging from unit.
Proceed to step 5, *APPLY SEALING PADS*, if not attaching to a door system.

2 REMOVE SIDE FLANGE FROM DOOR

The side flange that shipped with the door unit will need to be replaced with a piece that extends the length of the door unit and the transom together.



3 ATTACH TRANSOM



Install Connector Fins to Transom Unit

Carefully lay unit flat.

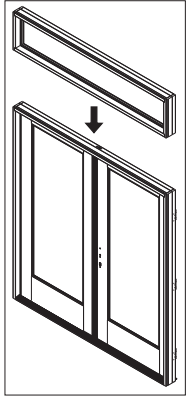
Align left and right connector fins approximately 2” from sill ends.

Firmly press into specified groove shown using a rubber mallet if necessary.

3 ATTACH TRANSOM - cont.

Apply Structural Adhesive

Apply (2) generous beads of structural adhesive along entire length of jamb mating surfaces.



Attach Unit

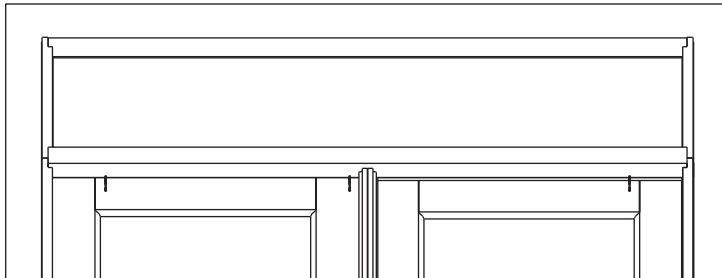
Align units and press firmly together until butted flush.

ATTACH TRANSOM - Alternate Method

Secure With Screws

When MEU attachment fins are not provided, pre-drill 3/32" dia. pilot holes through top frame, 3/4" deep. These holes should be located 6" from both ends, and on either side of the astragal or mullion, and should be centered in the thick portion of the head jamb.

Fasten with #8 x 2" trim head screws through frame into transom, as shown.



13 ATTACH BRICKMOULD - Cont.

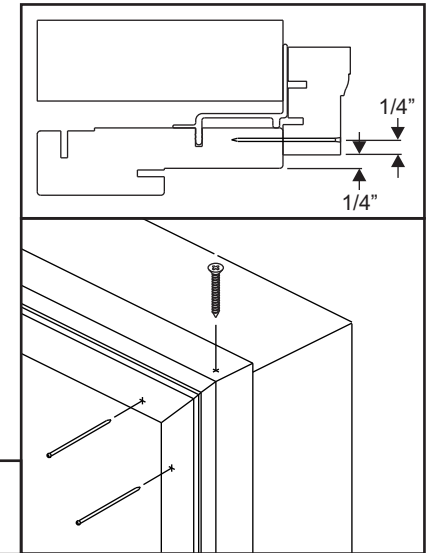
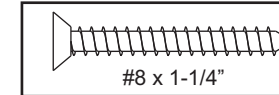
Outswing

Locate brickmould 1/4" from jamb edge as shown.

Fasten with 2" finishing nails (not supplied) locating nails approximately 8" apart and located as shown.

Pre-drill 3/32" dia. pilot holes through top of brickmould at corners.

Fasten with #8 x 1-1/4" flat head screws.



12 SHIM AND SECURE HEAD JAMB

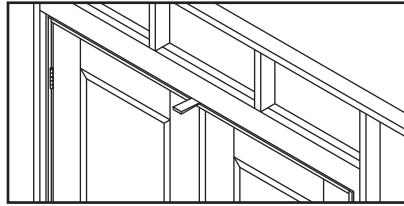
For Double French and Double/Triple Units

Place shim between head jamb and opening on either side of astragal or mullion.

Pre-drill 3/32" dia. pilot holes through frame at shim location.

Fasten with #8 x 2-3/4" trim head screws through frame into header.

Do not over torque screw to keep jamb from bowing.



13 ATTACH BRICKMOULD

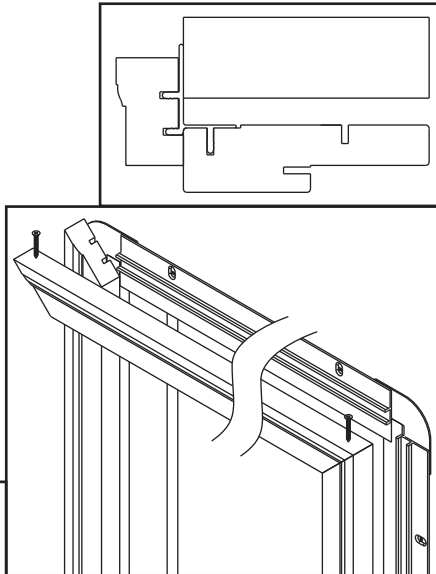
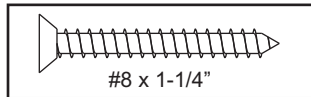
Inswing

Position kerfs in brickmould on flange barbs. Do not press on completely until all brickmould pieces are properly aligned.

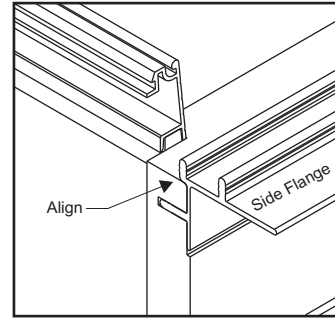
Firmly press on brickmould using a rubber mallet if necessary.

Pre-drill 3/32" dia. pilot holes through top of brickmould at corners.

Fasten with #8 x 1-1/4" flat head screws.



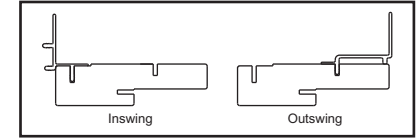
4 ATTACH FLANGES



Align and Install Side Flanges

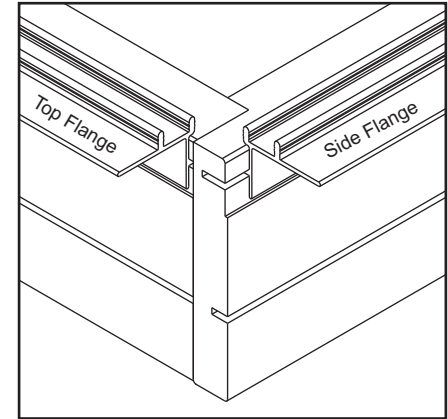
Align edge of side flange with bottom of side jamb. Firmly press into kerf in jamb using a rubber mallet if necessary.

Flange will be set back approximately 1/2" from top edge of jamb.



Install Top Flange

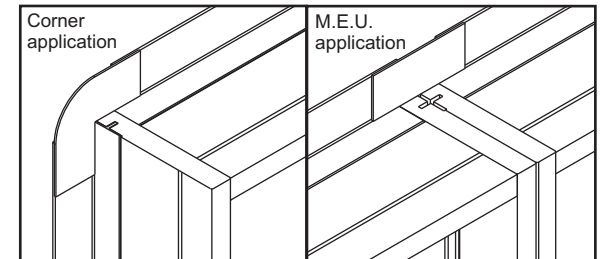
Center top flange into head jamb kerf and press into place using a rubber mallet if necessary.



5 APPLY SEALING PADS

Peel off backing from flange sealing pads.

Align and apply to backside of flange (surface to be against opening).



If installing transom to a Therma Tru door system, disregard the remainder of these directions and return to the installation instructions for the door.

The following directions are for a separately framed transom.

6 CHECK UNIT SIZE

Check height and width by measuring the frame, not the flange.

7 CHECK AND PREPARE OPENING

Is mounting surface level and solid? *Provide a flat, level, clean bearing surface so the sill may be caulked and sealed to the opening. Scrape, sand, or fill as required.*

Is opening square and plumb? Check all corners with a framing square. Double-check by comparing diagonal measurements. *Fix any problems now.*

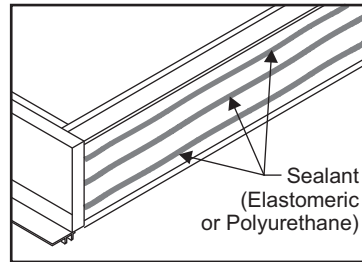
Is opening correct size? Check it against transom size now before installation. Opening should be frame height plus 1/2", and frame width plus 1/2" to 1".

8 CAULK FRAME AND SILL BOTTOM

Lay door unit on edge or face so that bottom side of sill can be caulked. Place very large beads of sealant (Elastomeric or Polyurethane) across full width at front edge of sill. Place one or more very large sealant beads at parallel lines across bottom surfaces which will bear on subfloor.

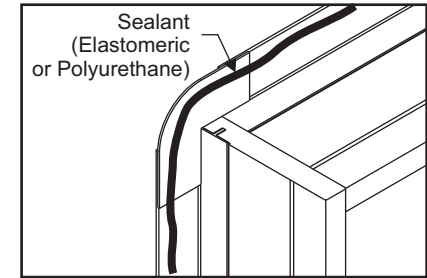
On mounting surface, place very large beads of sealant that will match with those placed on sill. Run beads full width of opening.

*Avoid callbacks due to leaks!
Use an entire tube of caulking
to seal between sill and frame.*



9 CAULK FLANGE

Place a generous bead of sealant (Elastomeric or Polyurethane) around entire backside perimeter of flange where it will set against opening.



10 PLACE UNIT IN OPENING

From the exterior side of the opening, carefully lift unit up. With top edge tilted away from opening, center unit and place sill down onto sealant beads. Tilt into place. Flange to be flat against opening.

11 FASTEN FLANGE TO OPENING

Check unit for plumb and square.

Fasten unit to opening through holes in flanges using #10 x 3/4" flat head screws.

